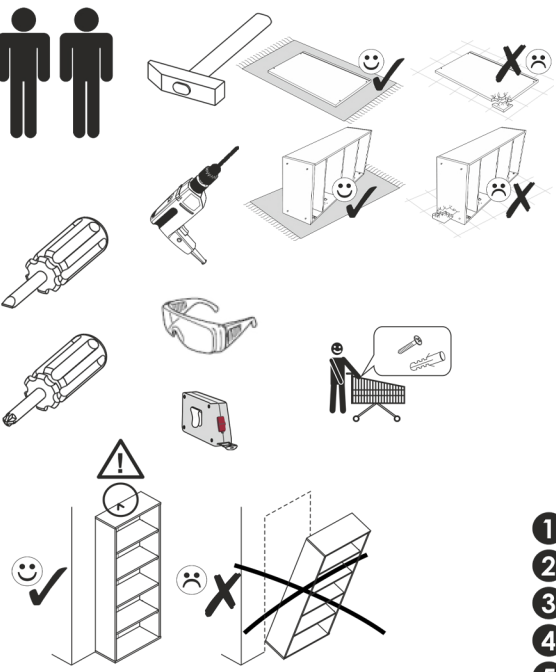
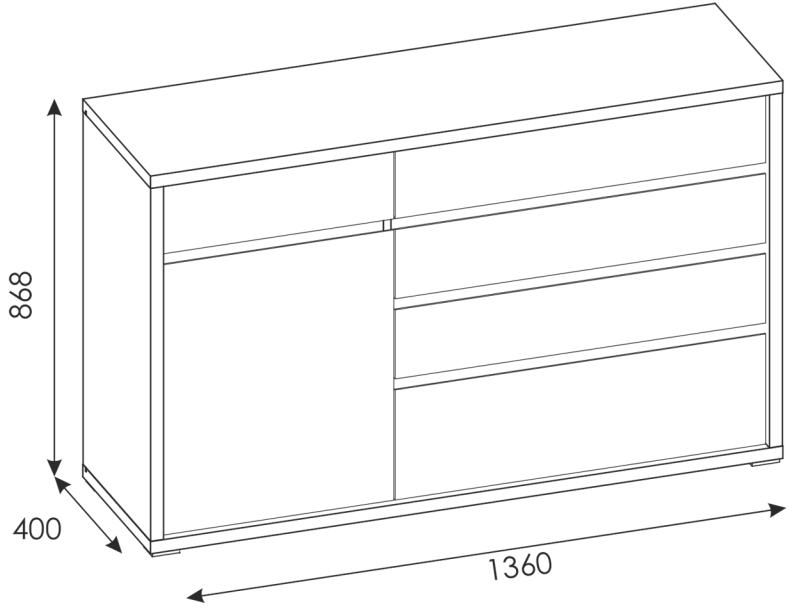
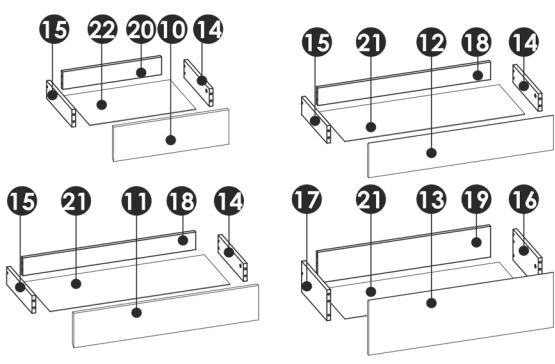
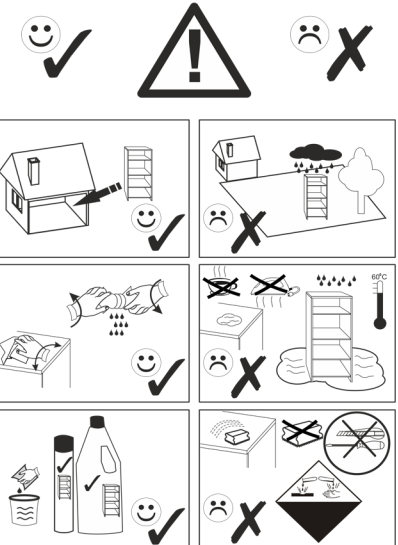
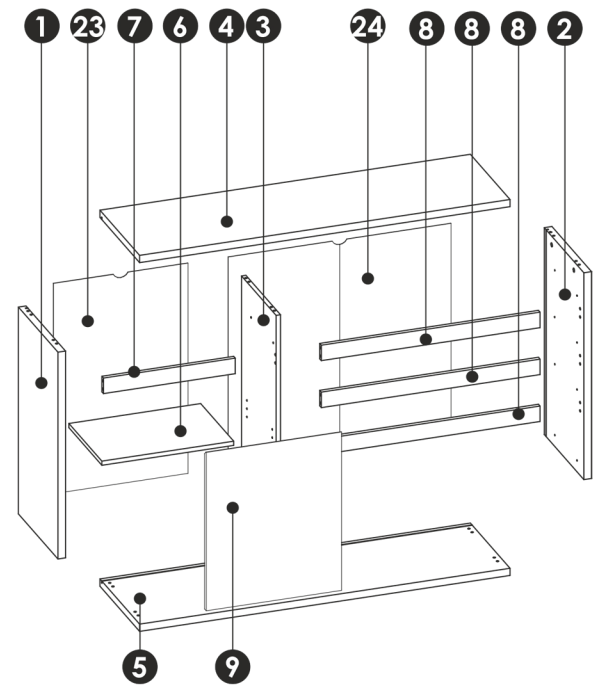


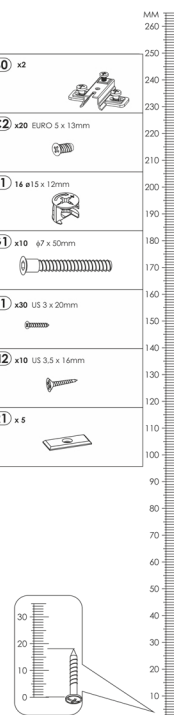
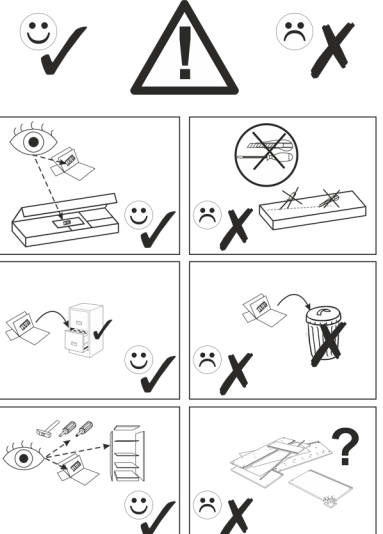
SHELDON 42

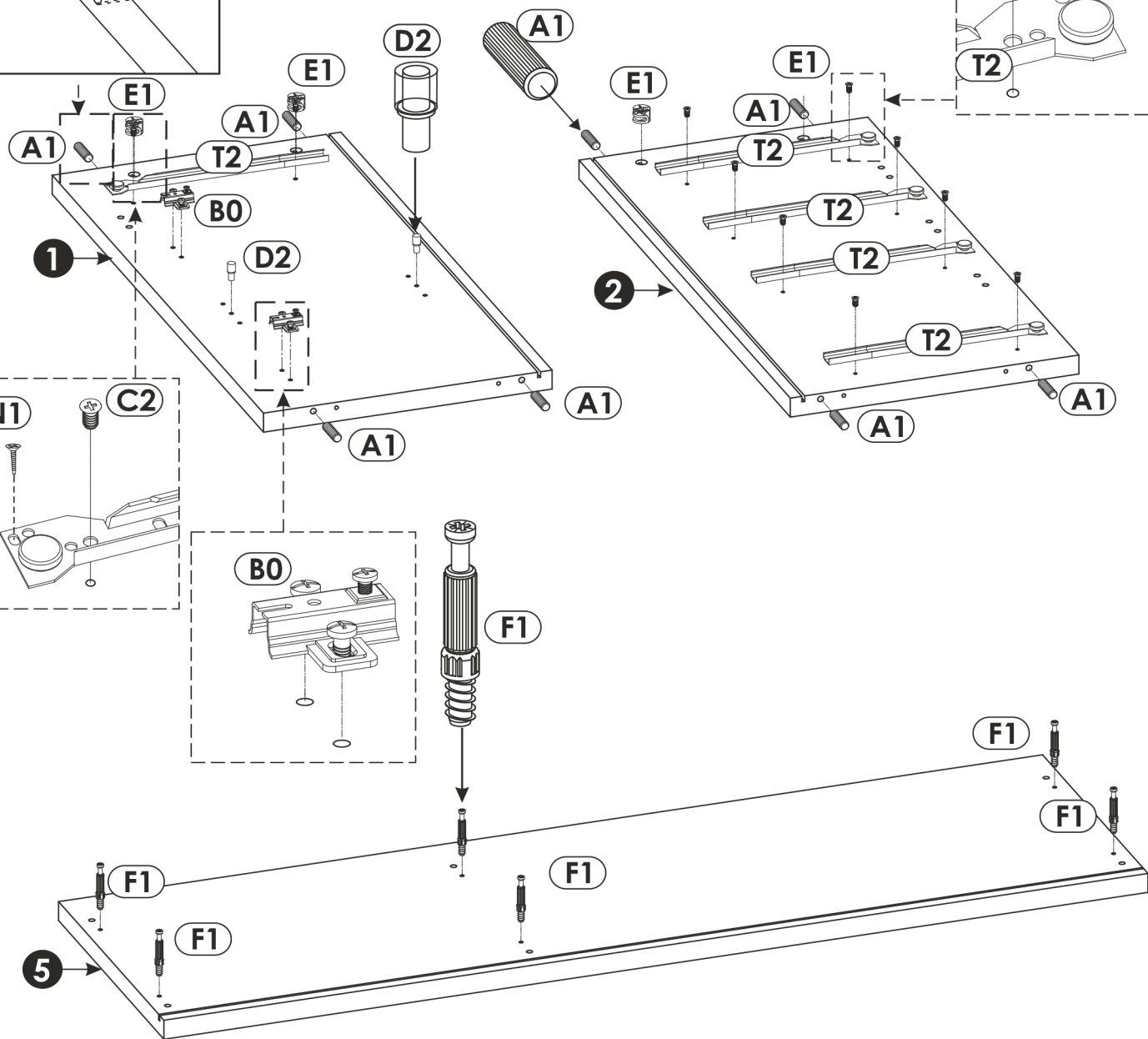
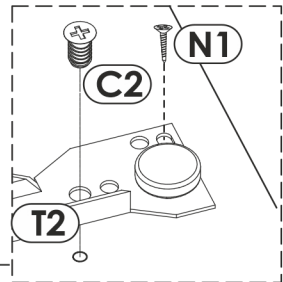
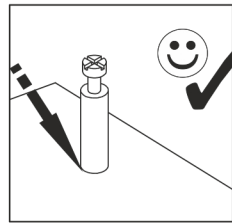
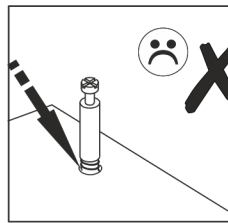
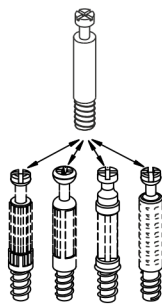
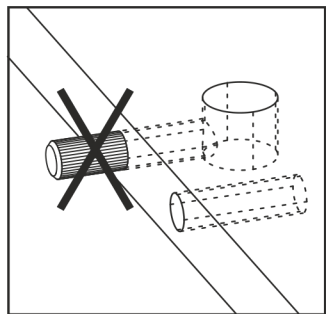
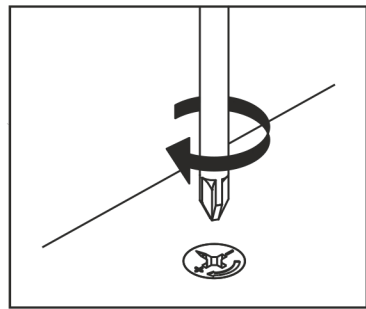
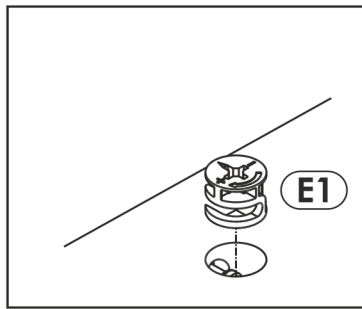
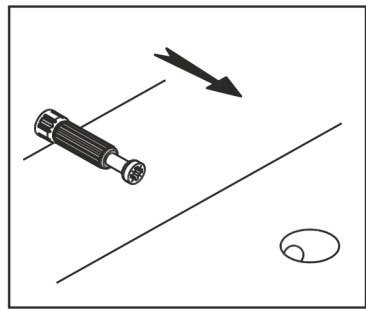
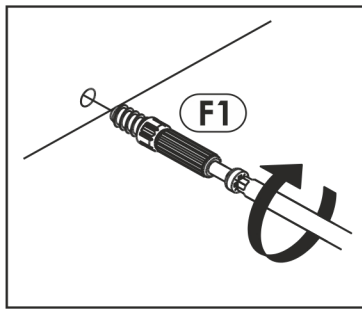


1	802	399	28	x1	1/2
2	802	399	28	x1	1/2
3	802	349	16	x1	2/2
4	1360	400	28	x1	2/2
5	1360	400	28	x1	2/2
6	484	333	16	x1	2/2
7	484	60	16	x1	1/2
8	803	60	16	x3	1/2
9	497	614	16	x1	1/2
10	497	157	16	x1	1/2
11	797	157	16	x1	1/2
12	797	157	16	x2	1/2
13	797	250	16	x1	1/2
14	330	80	16	x4	2/2
15	330	80	16	x4	2/2
16	330	140	16	x1	2/2
17	330	140	16	x1	2/2
18	746	80	16	x3	2/2
19	746	140	16	x1	1/2
20	427	80	16	x1	1/2
21	777	335	3	x4	1/2
22	458	335	3	x1	1/2
23	815	498	3	x1	1/2
24	815	816	3	x1	1/2

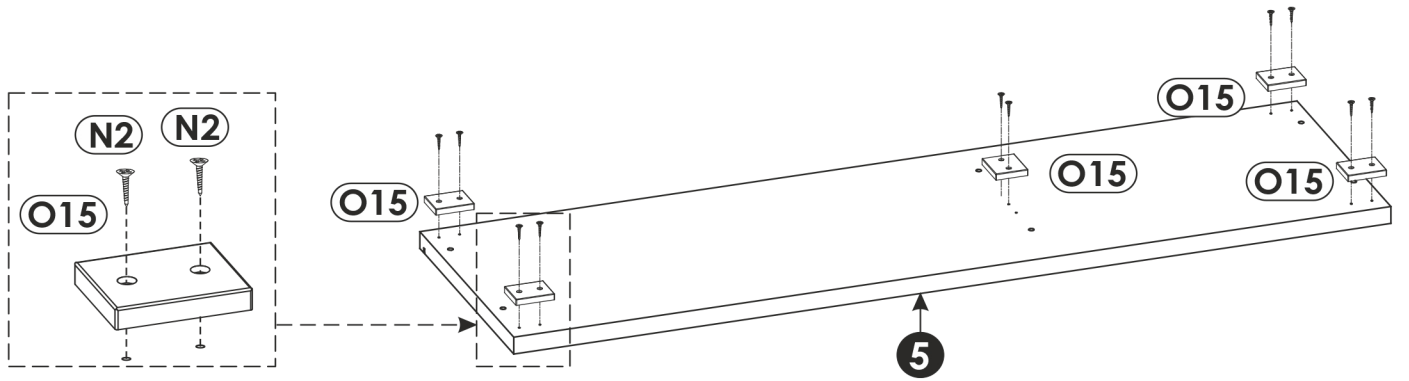
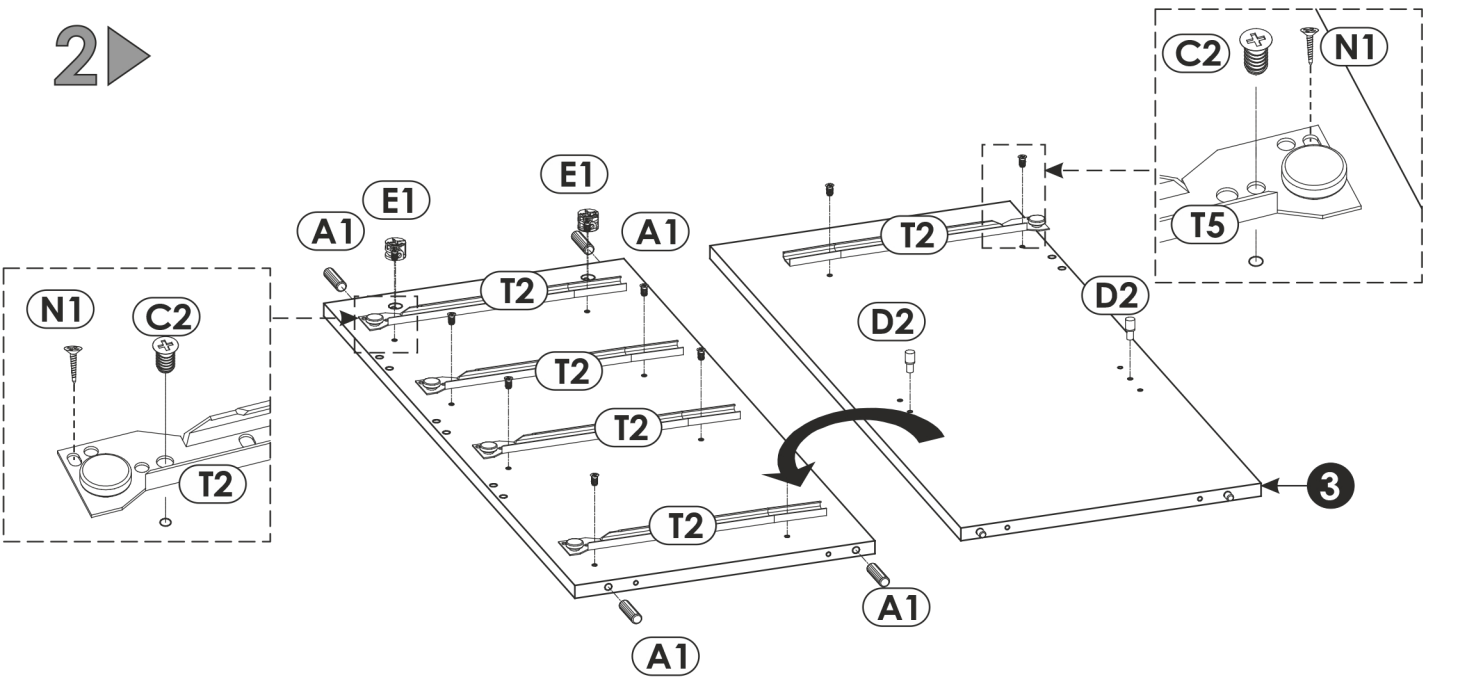


A1	x48 ø6 x 35mm	A3	x2 ø8 x 60 mm	B0	x2
B3	x2	C1	x4 EURO 4 x 13mm	C2	x20 EURO 5 x 13mm
D2	x4	E0	x16	E1	16 ø15 x 12mm
F1	x16	G0	x16	G1	x10 ø7 x 50mm
G2	x6 ø7 x 60mm	I2	x2 4 x 16mm	J1	x30 US 3 x 20mm
M	x1	N1	x50 US 3 x 16mm	N2	x10 US 3.5 x 16mm
O15	x5	Q9	x2	R1	x5
R4	x15	RB	x12	Z	x1
T2	x5	L-300			

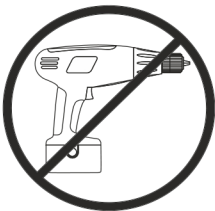
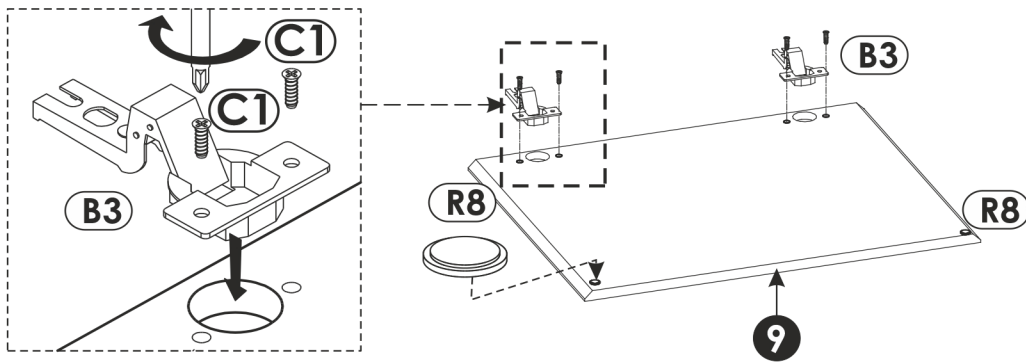




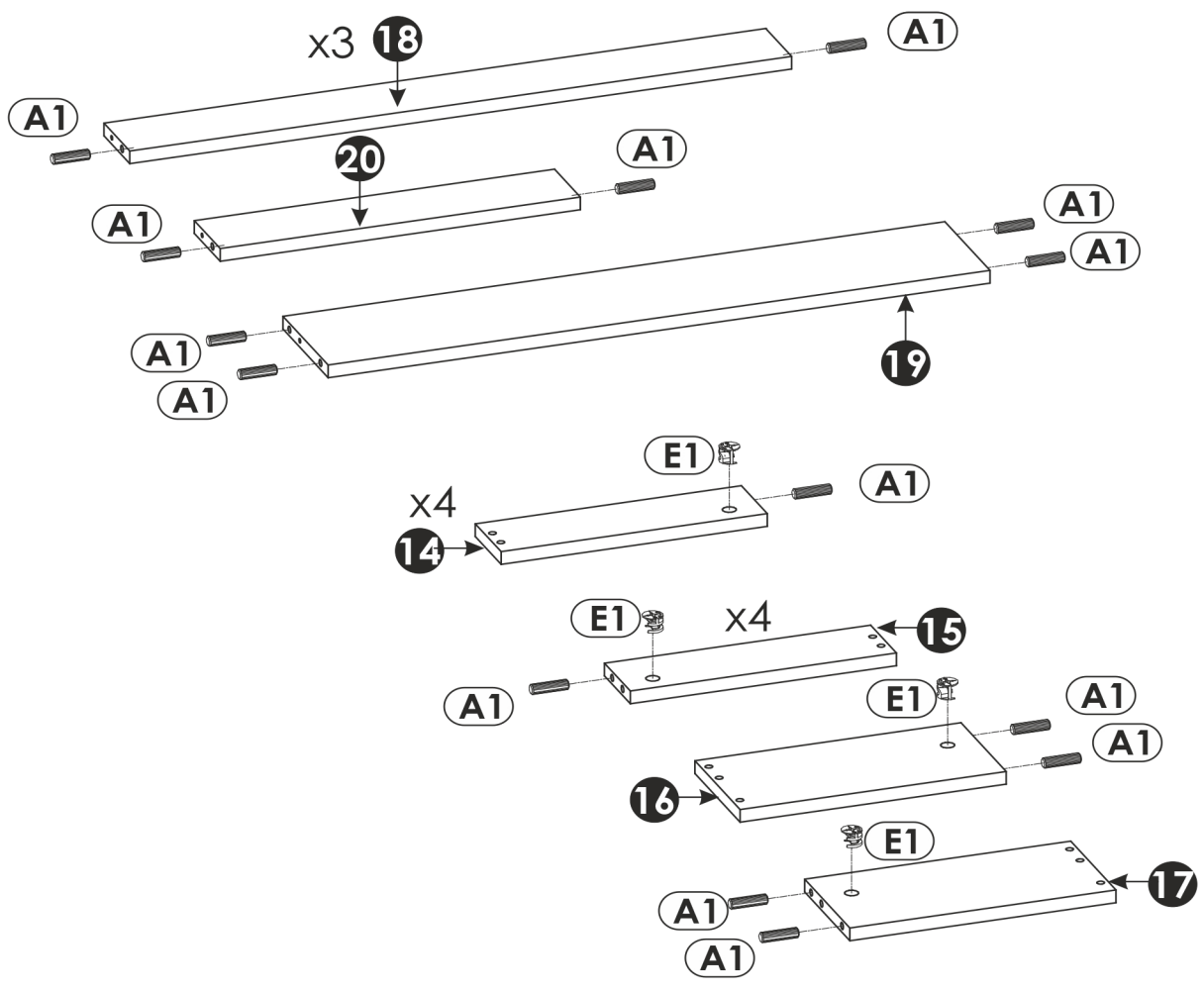
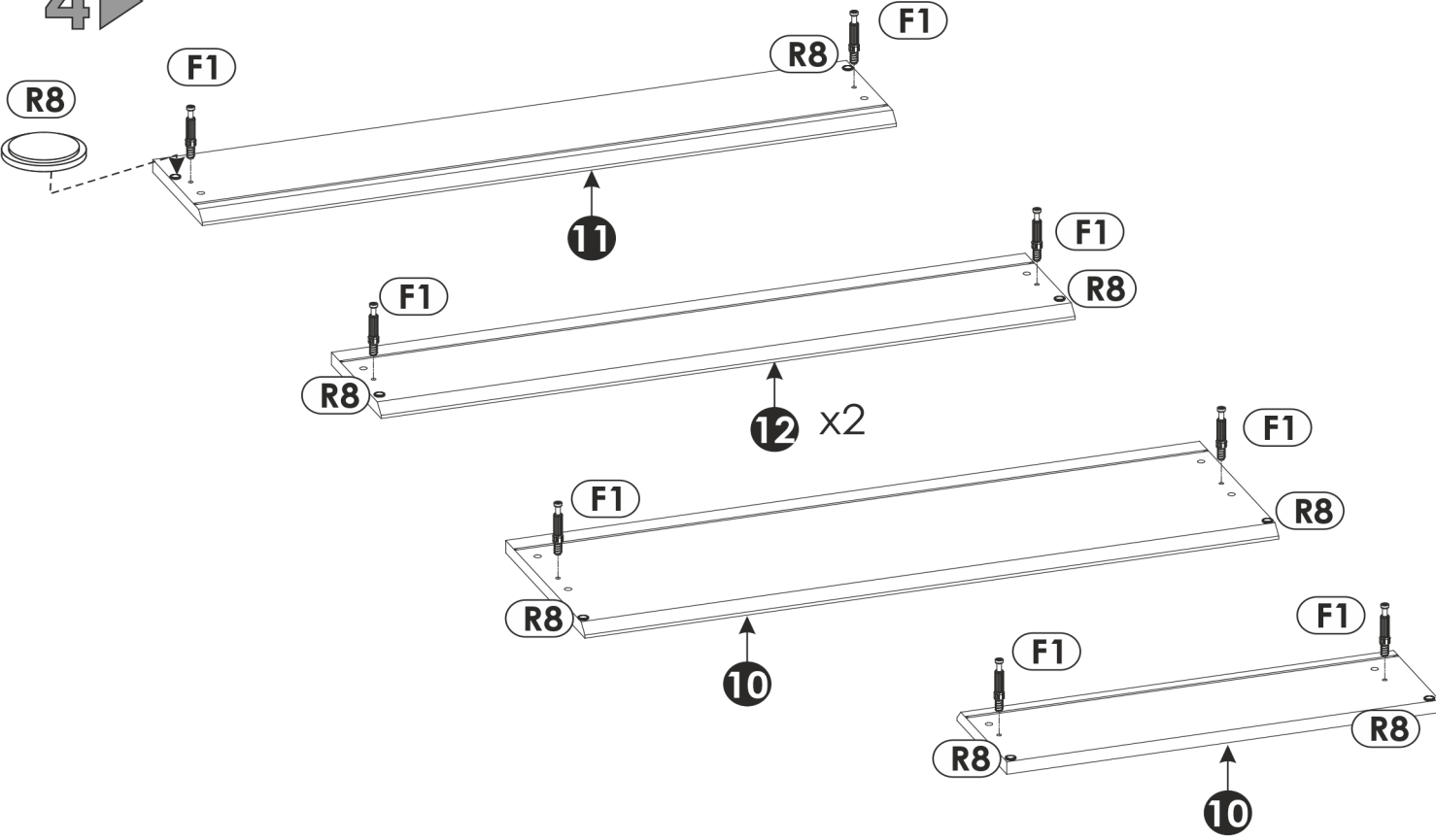
2 ▶



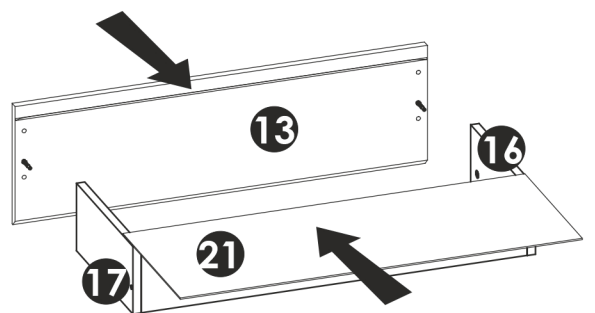
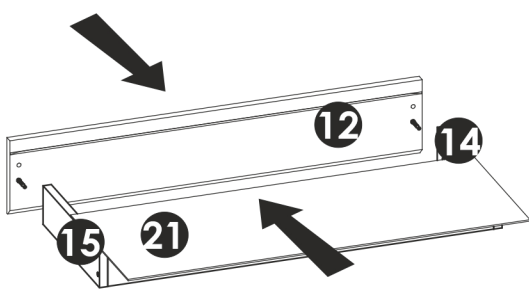
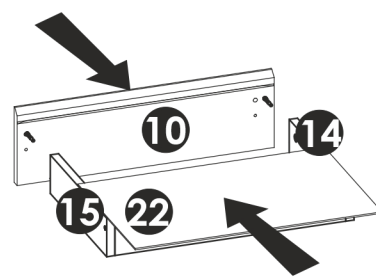
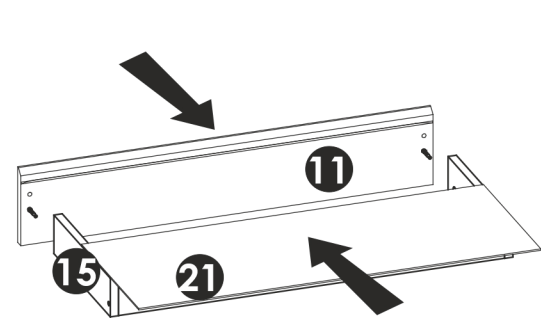
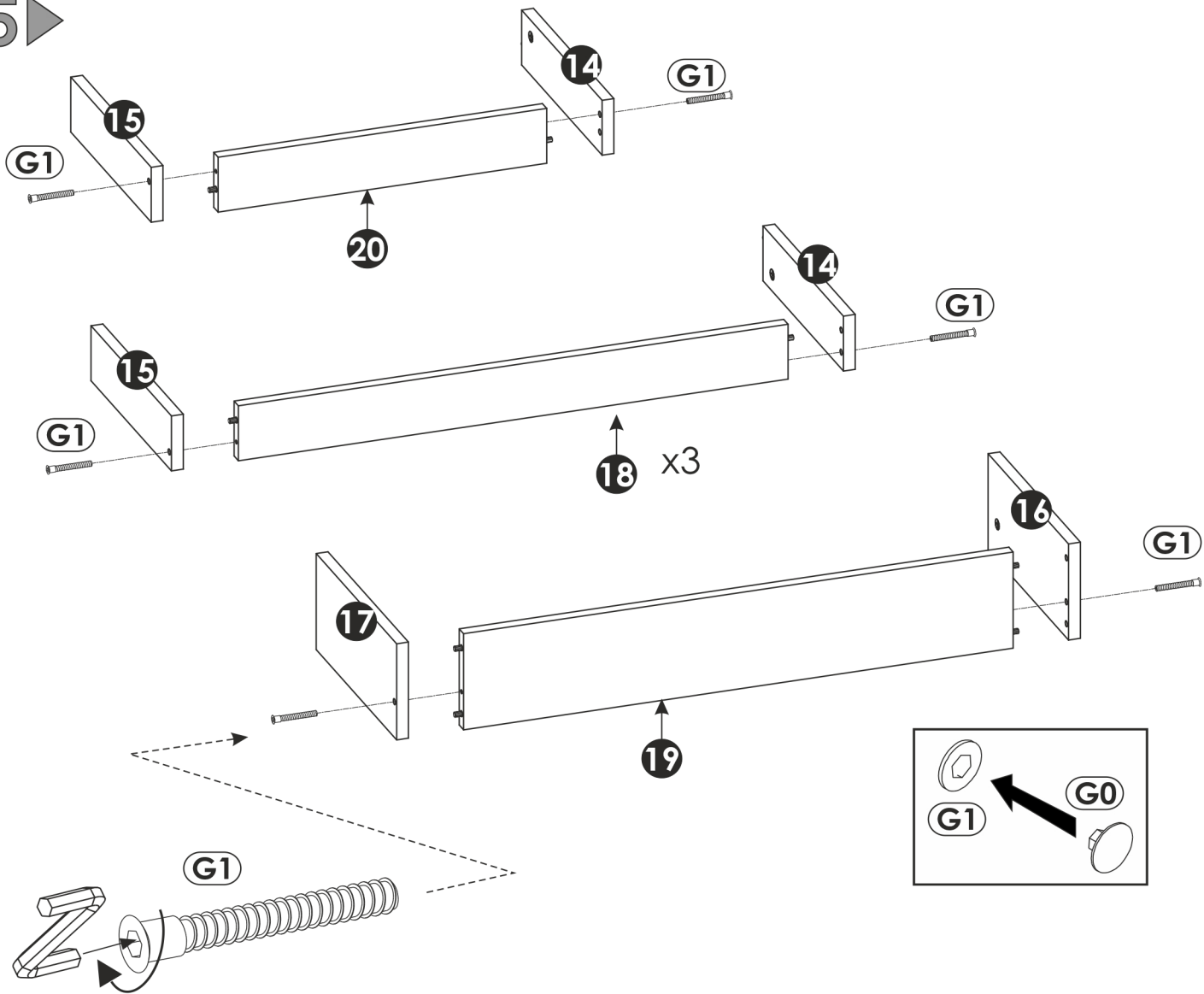
3 ▶



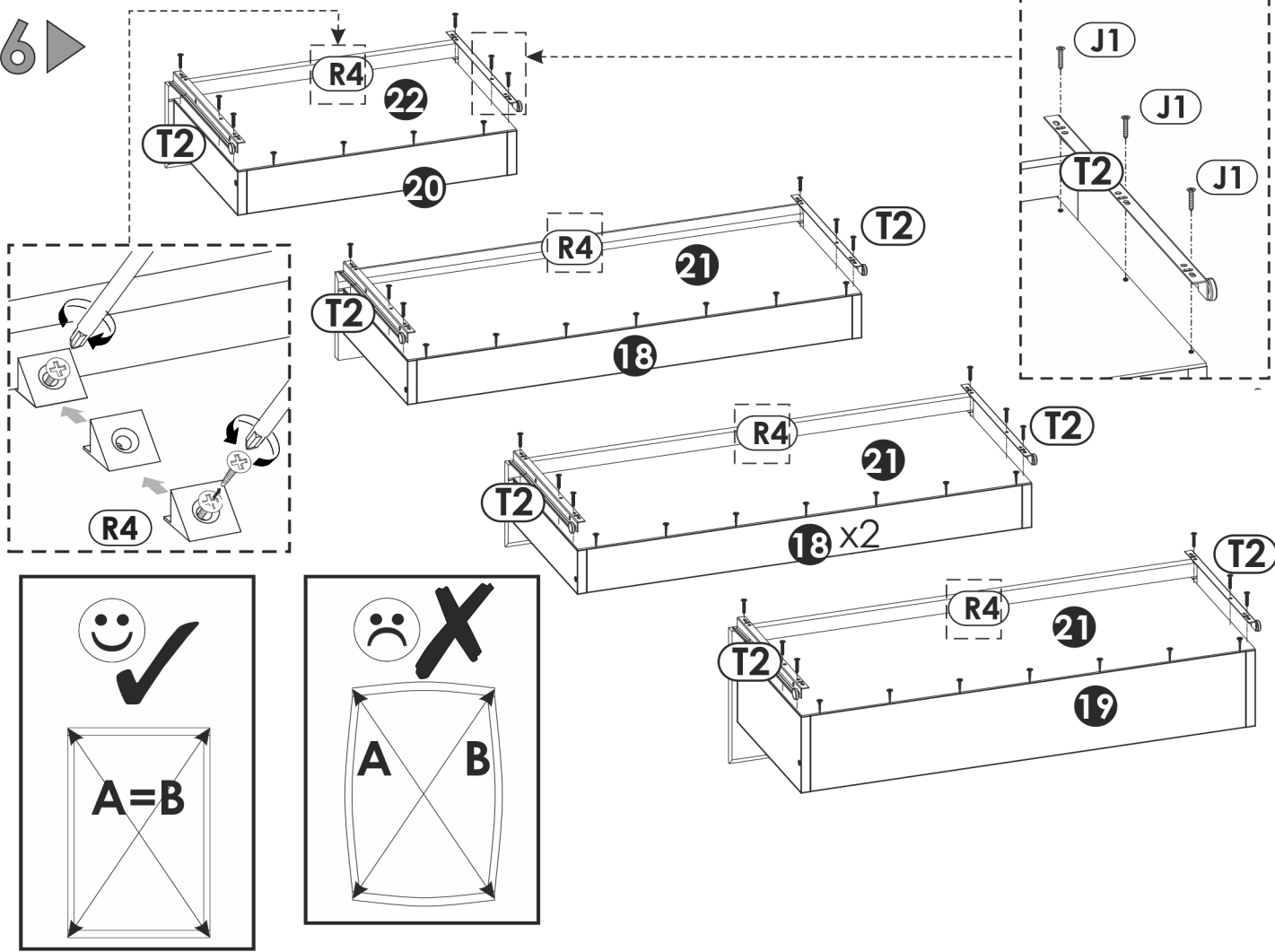
4



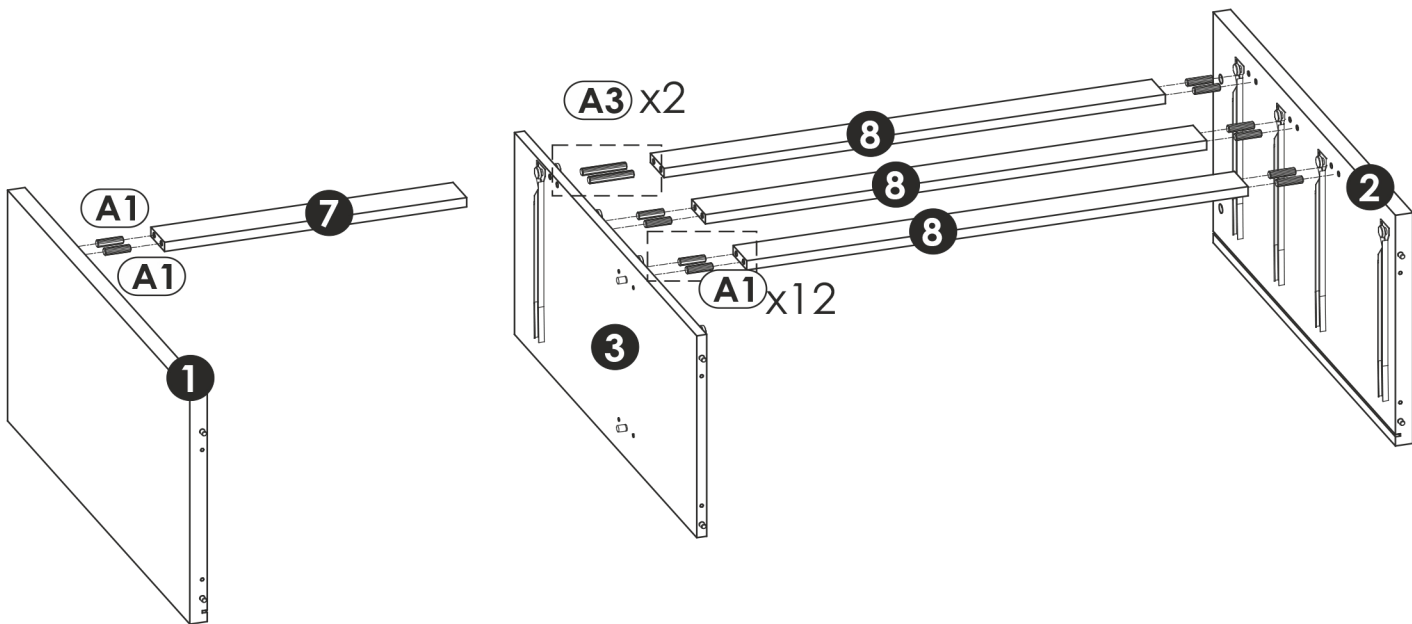
5 ▶

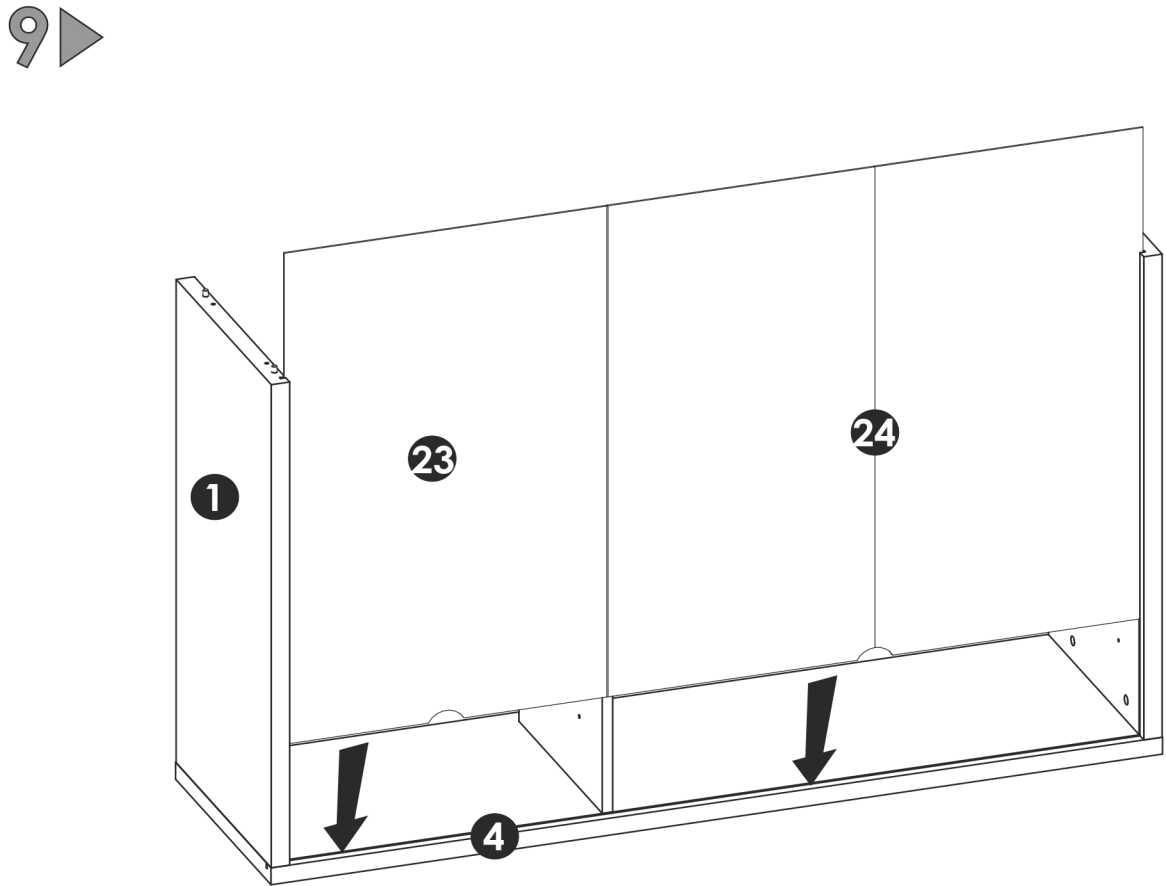
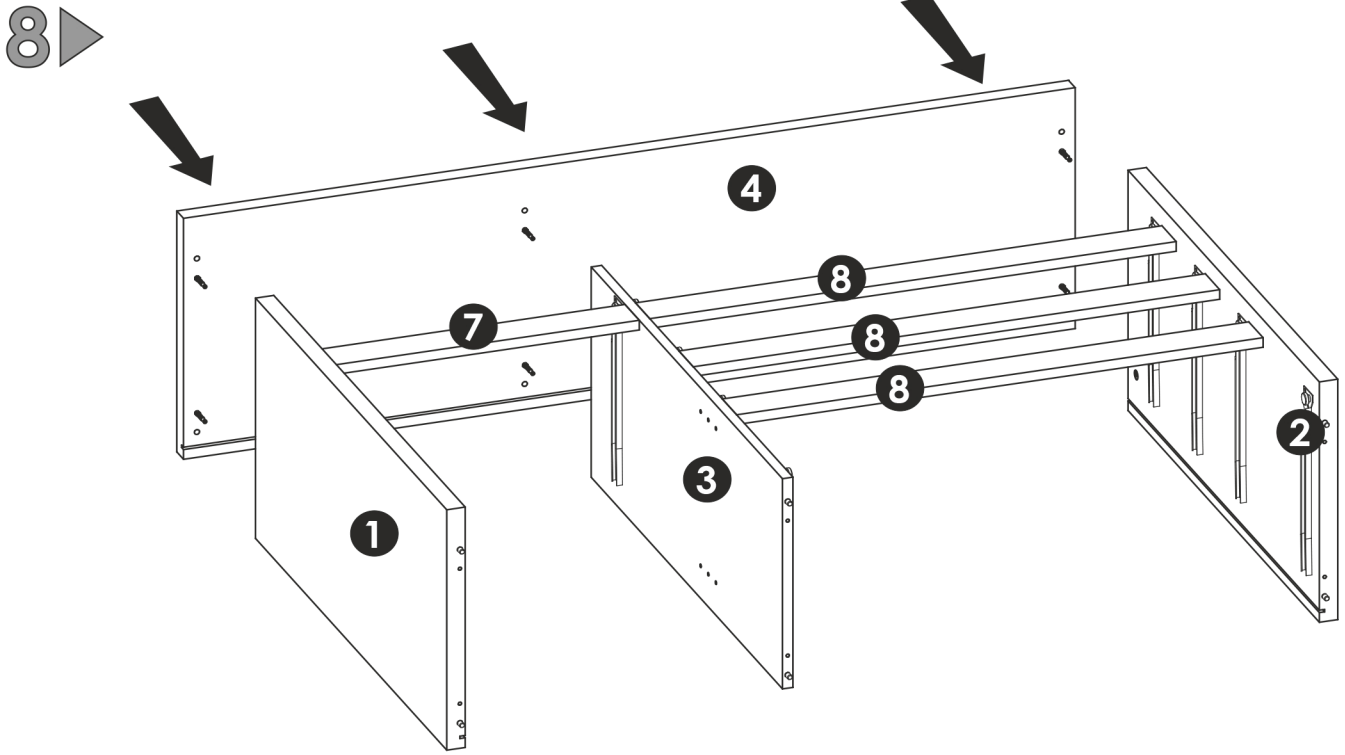


6 ▶

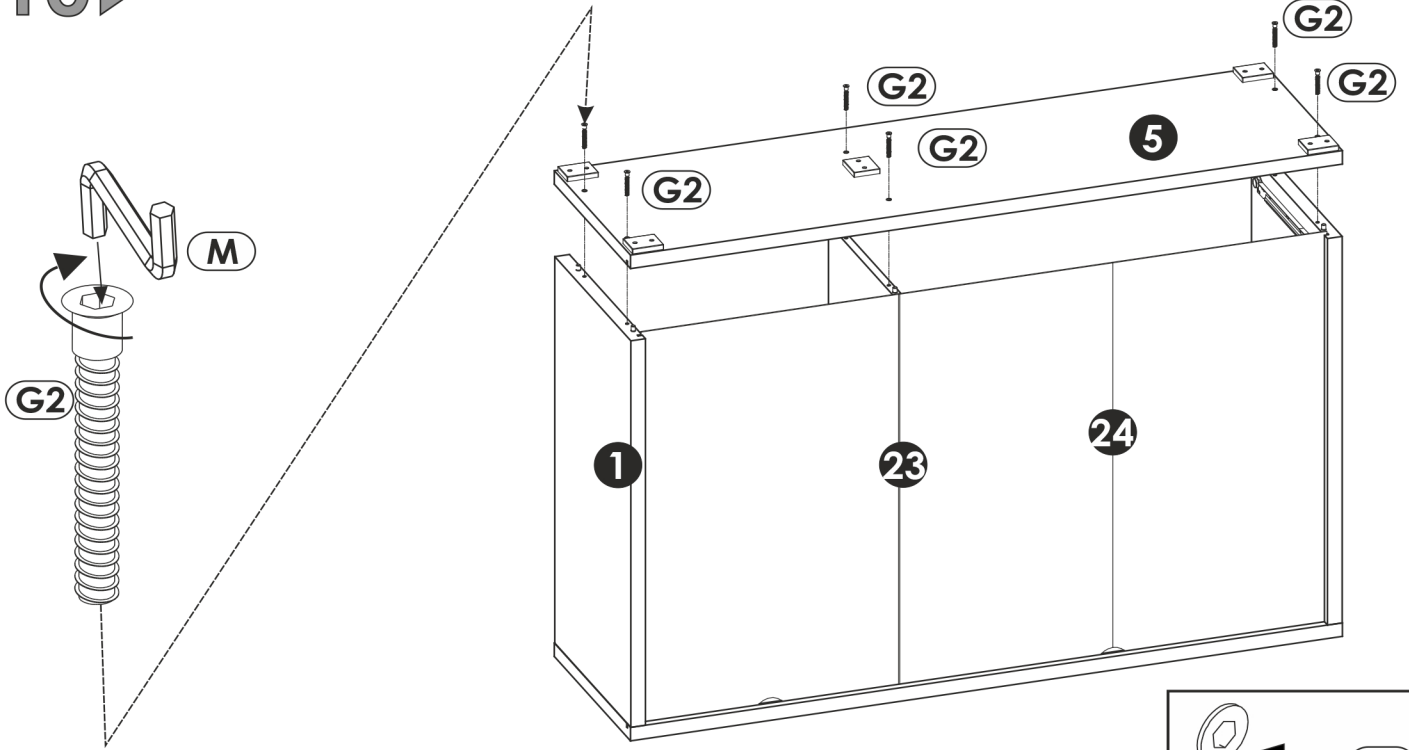


7 ▶

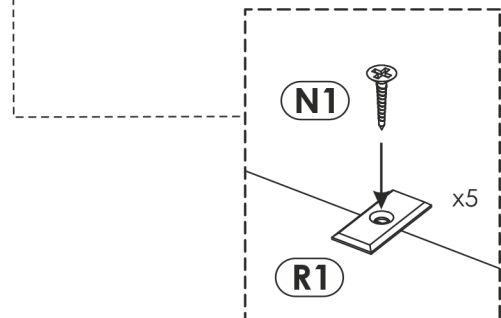
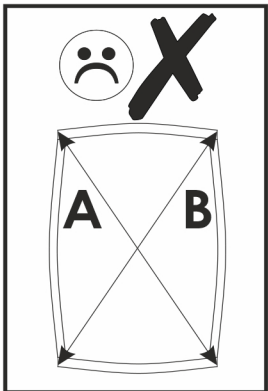
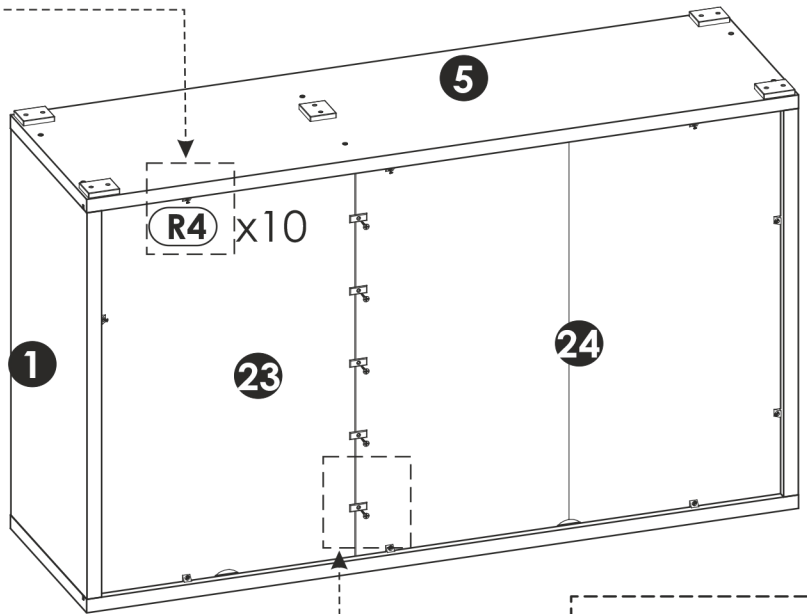
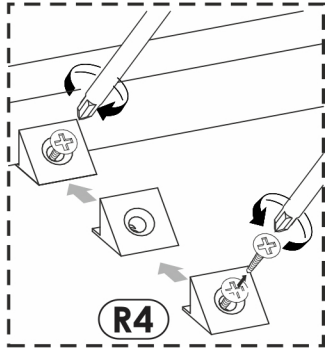
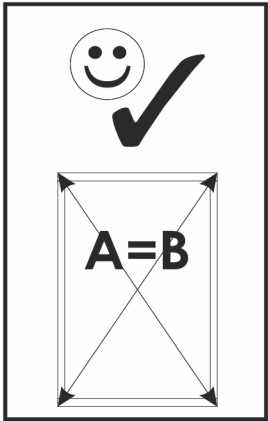


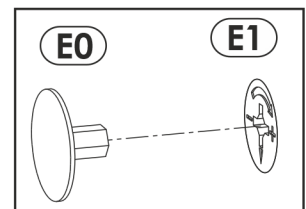
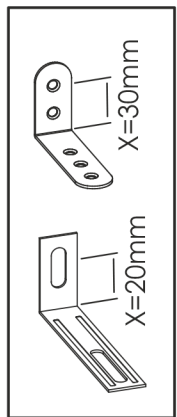
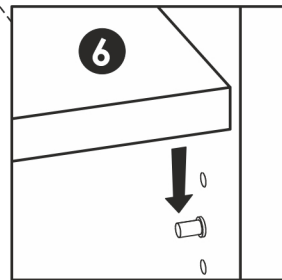
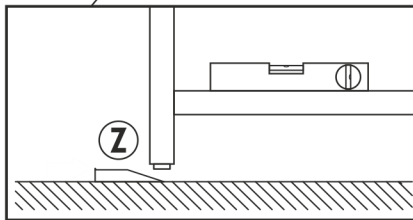
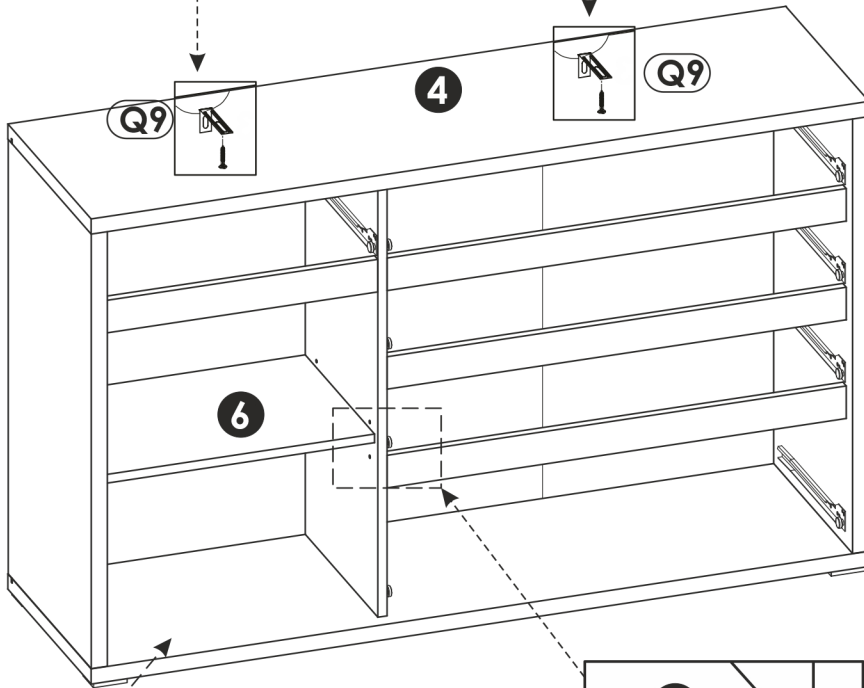
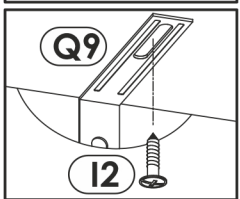
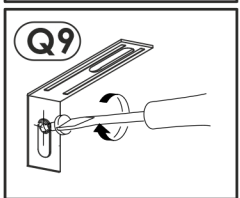
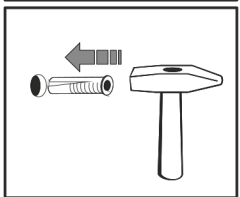
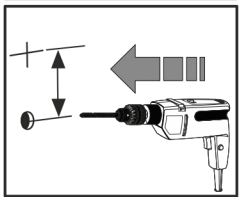
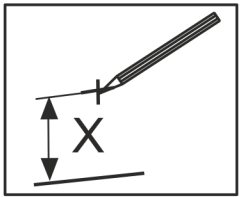
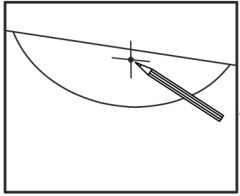
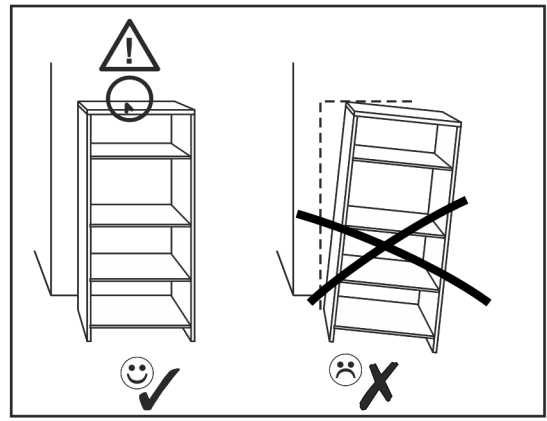


10 ▶



11 ▶





13 ▶

